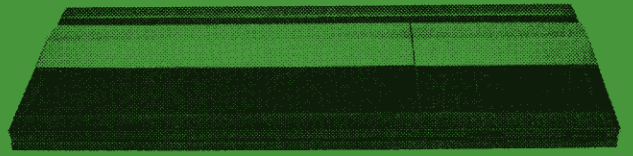


Bang & Olufsen



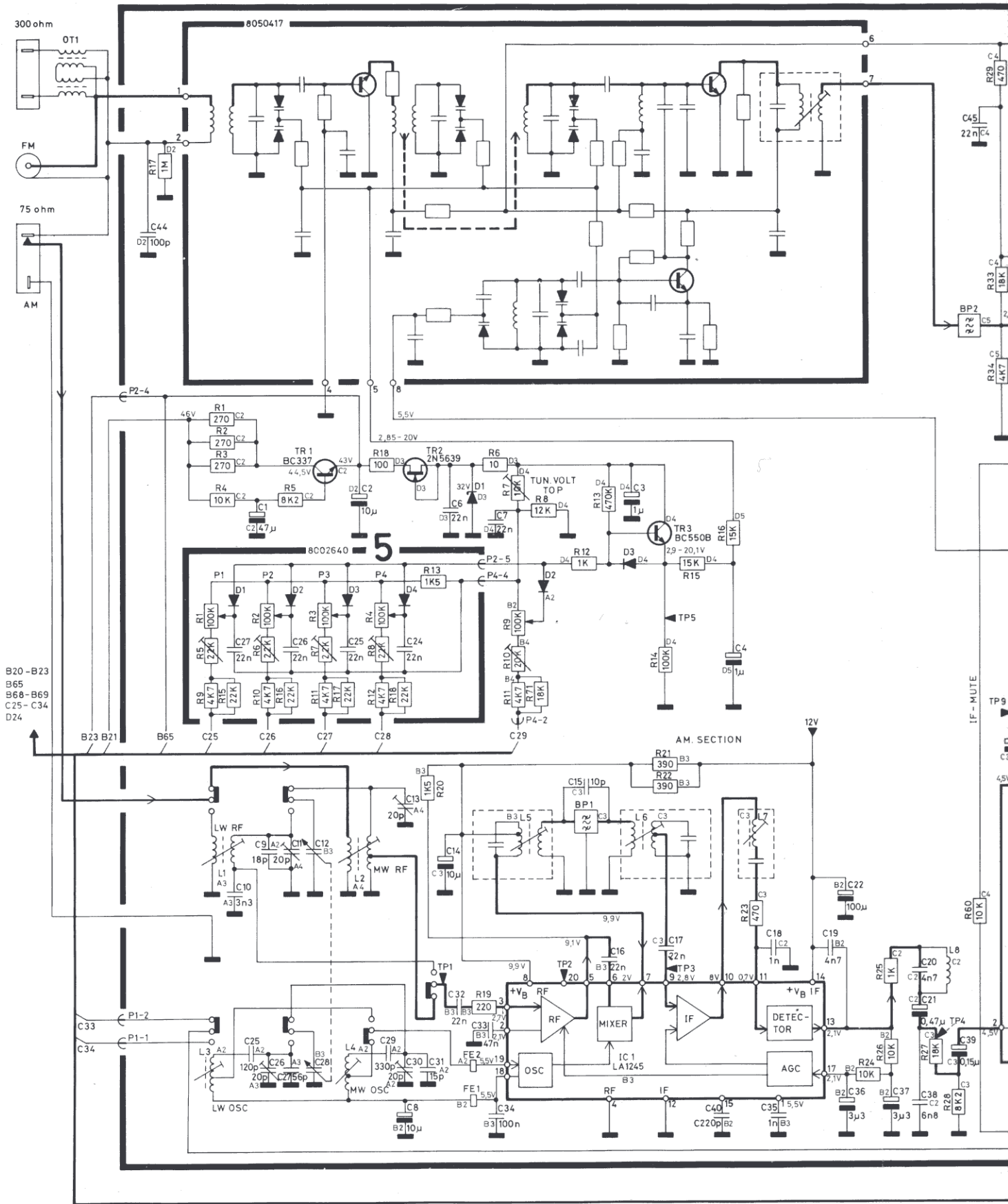
Beocenter 2200

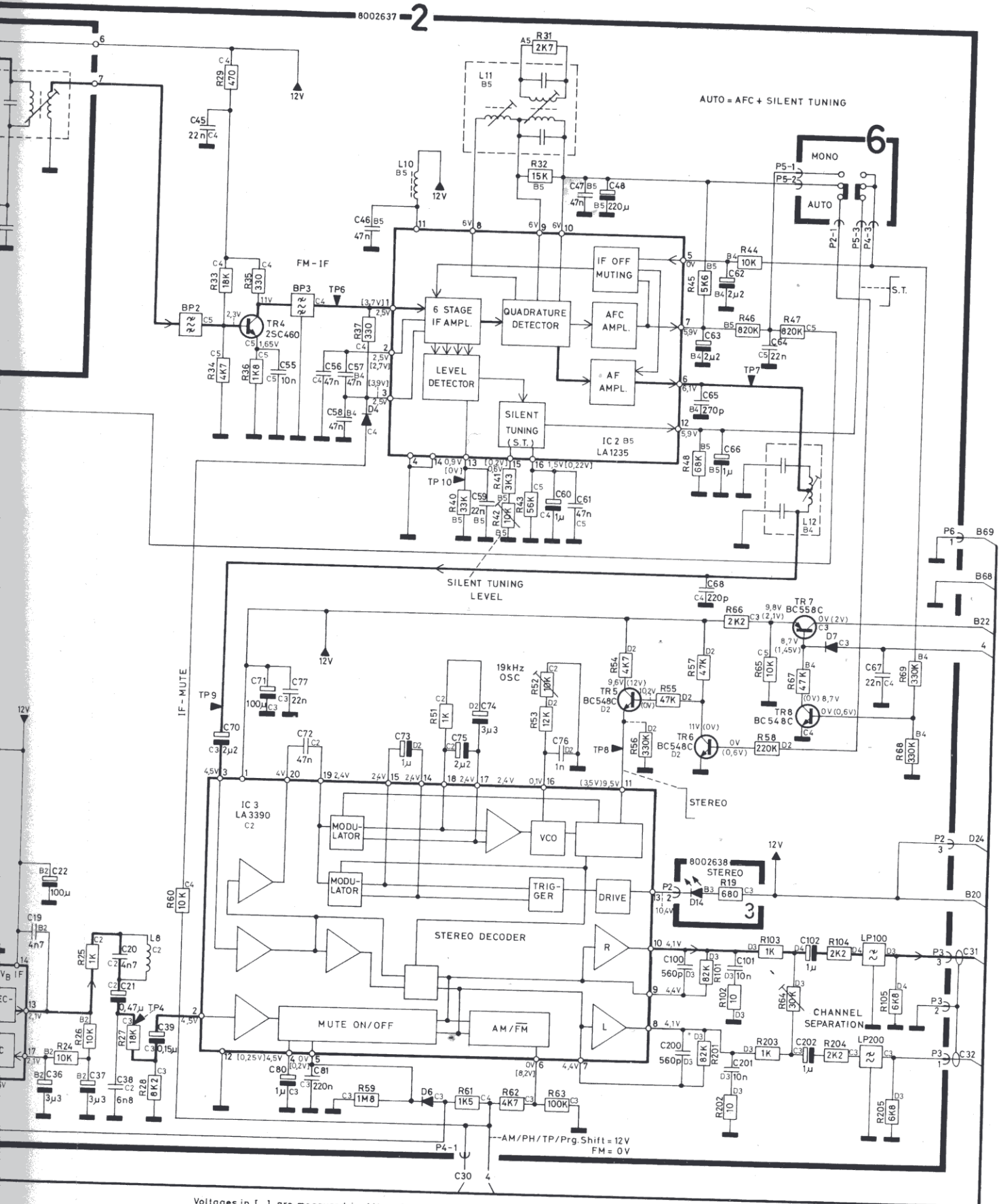
Type 2421/22/25

SERVICEANLEITUNG
MANUEL d'ENTRETIEN



DIAGRAM A

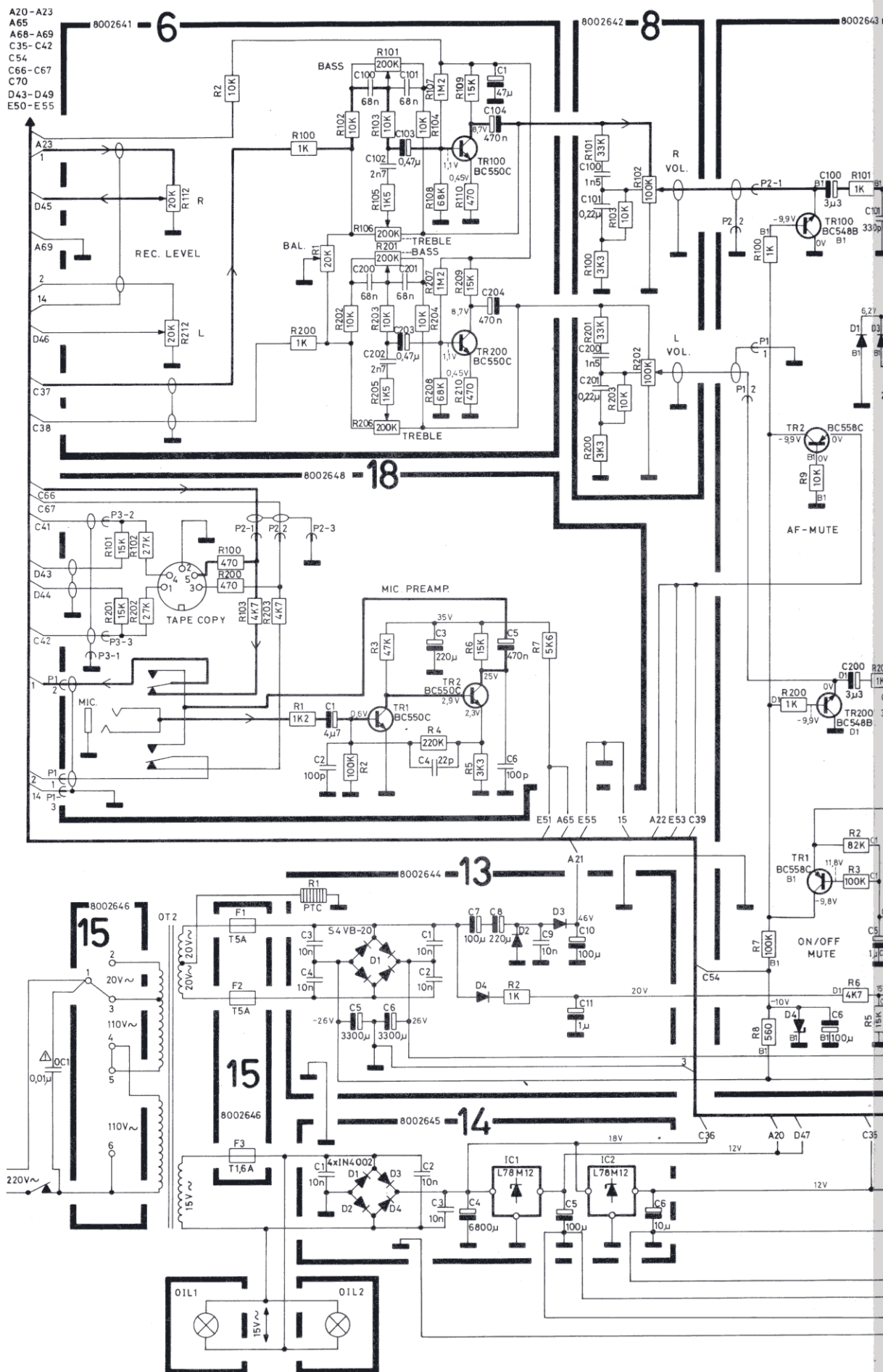


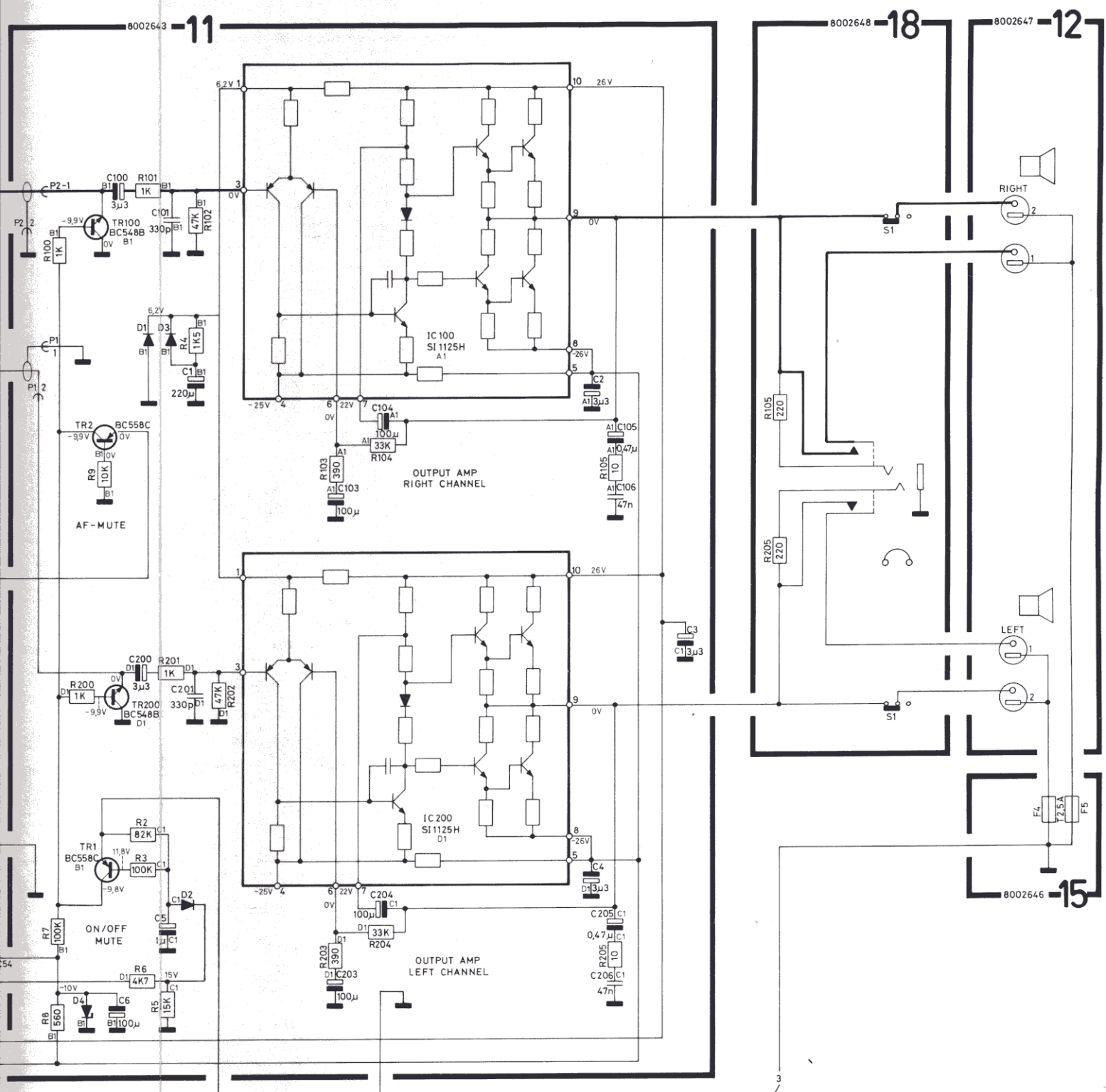


Voltages in [] are measured in AM mode
 Voltages in () are measured in FM AUTO mode

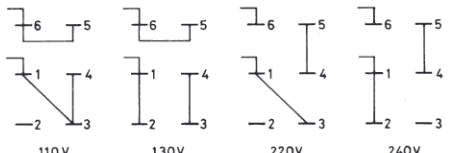
Bang & Olufsen

DIAGRAM B

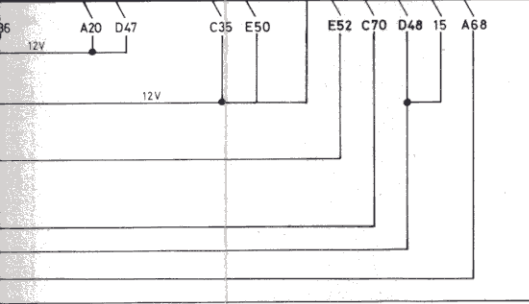


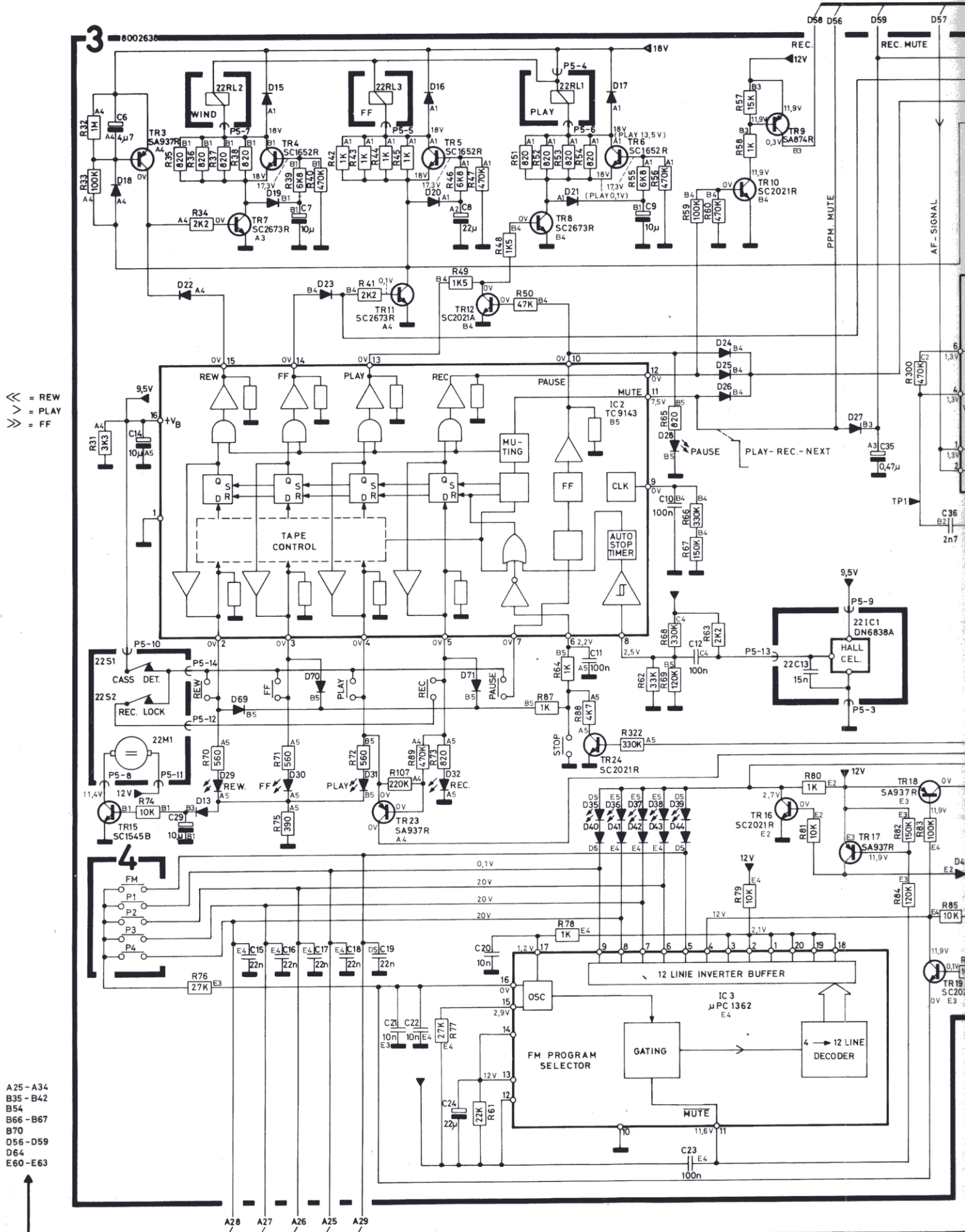


SURVEY OF MAINS VOLTAGE CONNECTIONS



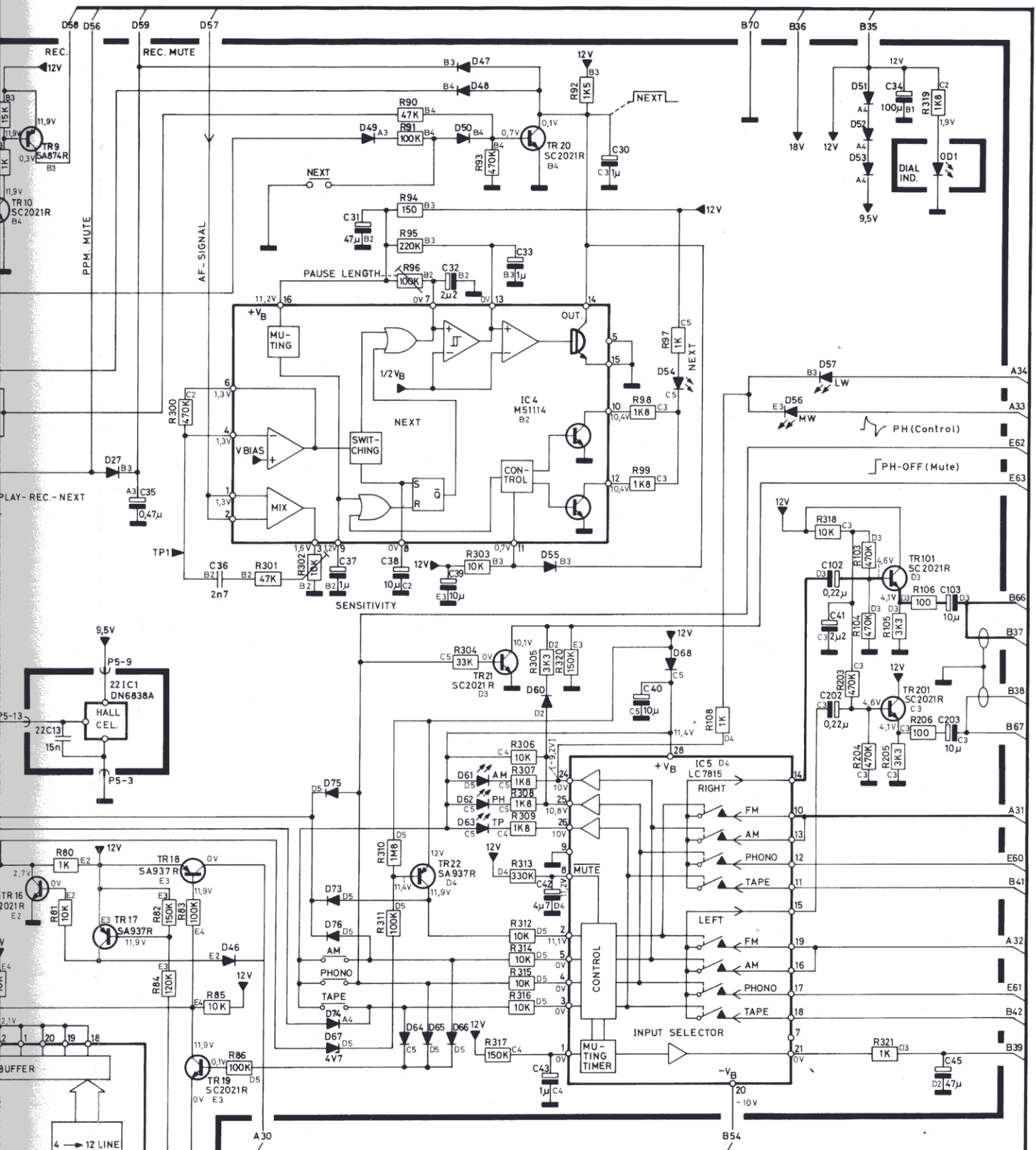
MAINS VOLTAGE CONNECTIONS AND FUSES ARE PLACED UNDER COVER AT RIGHT HAND SIDE (FROM BOTTOM)



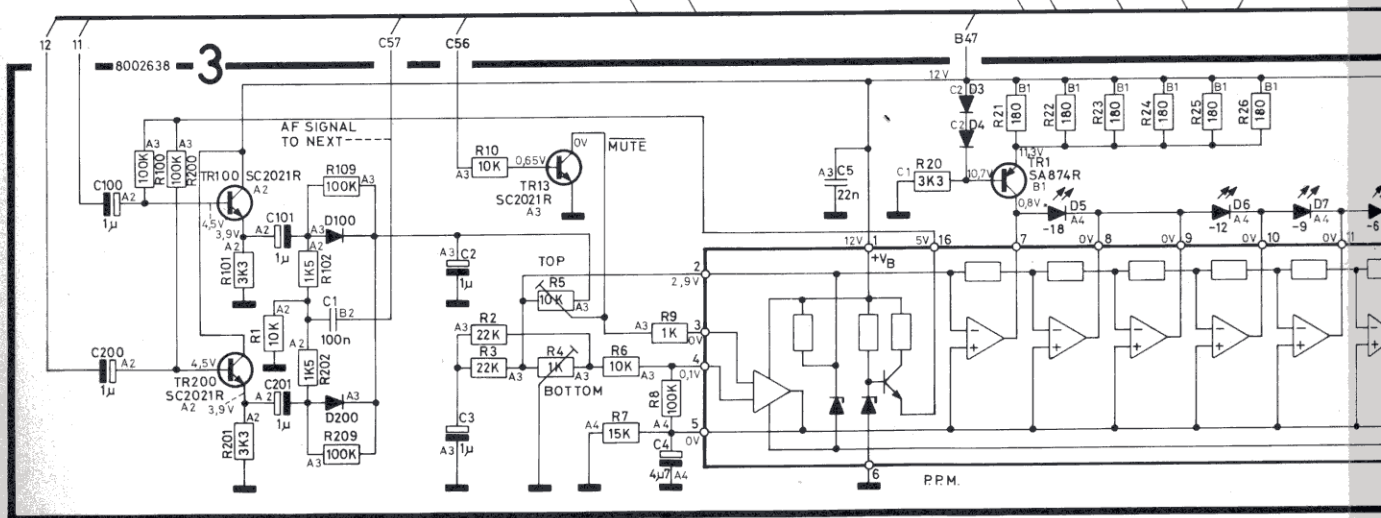
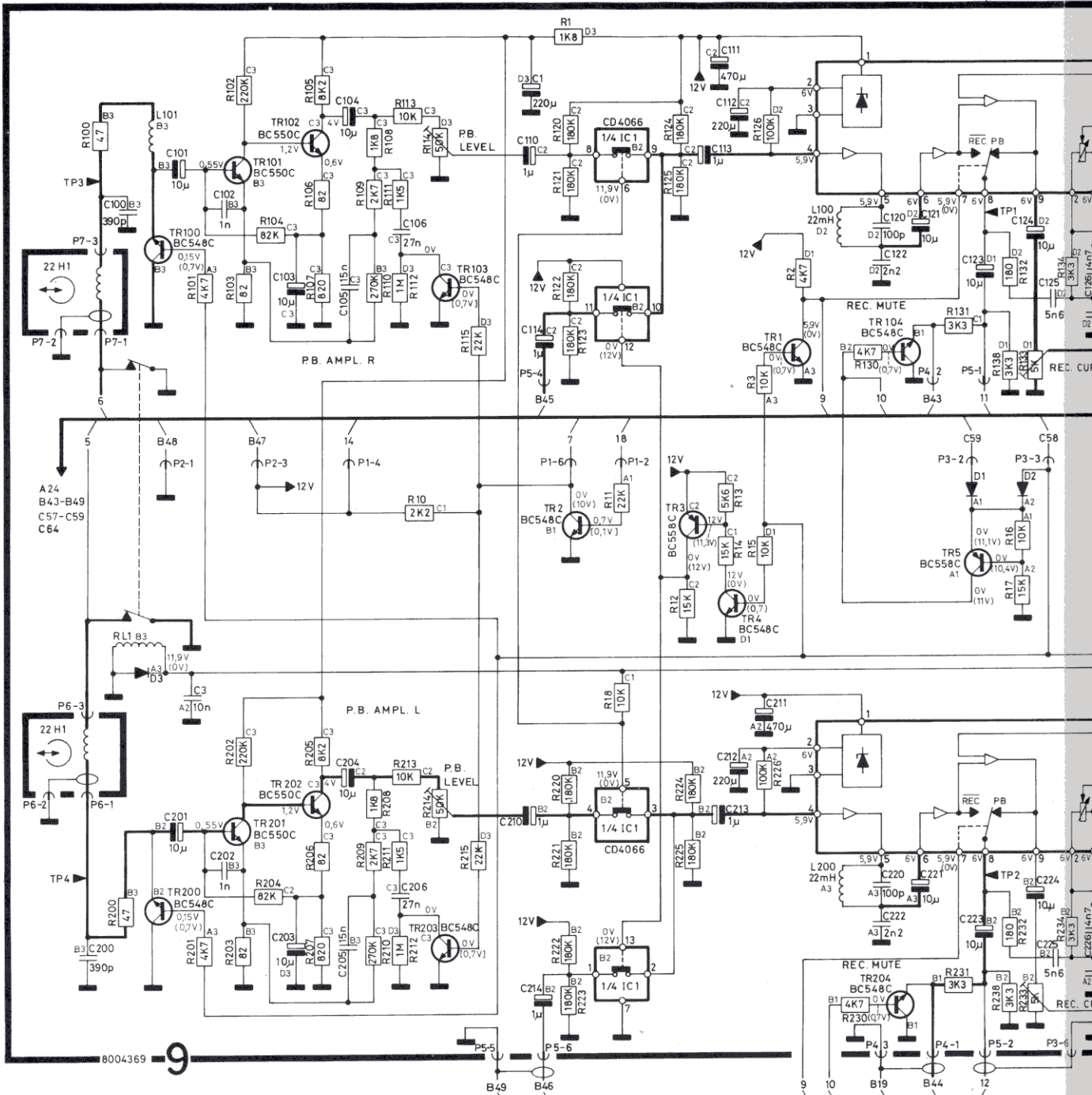


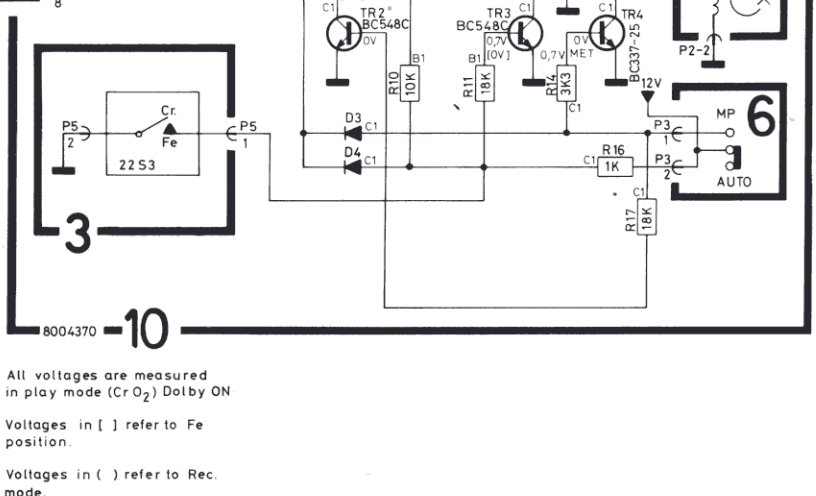
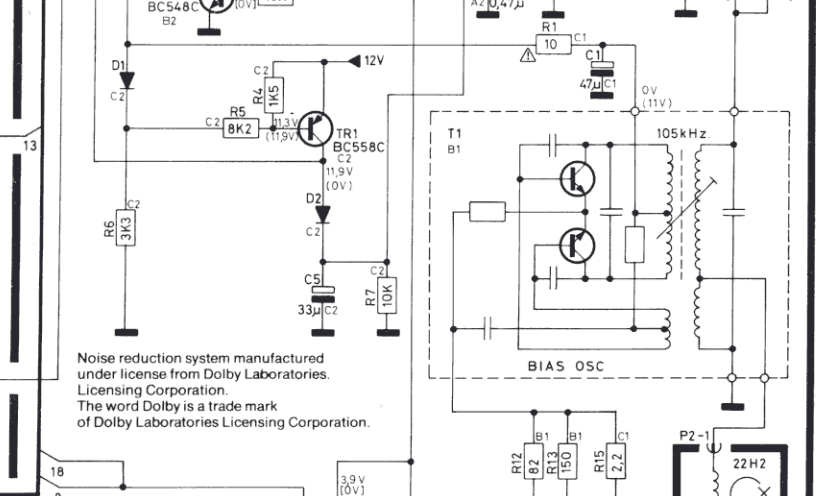
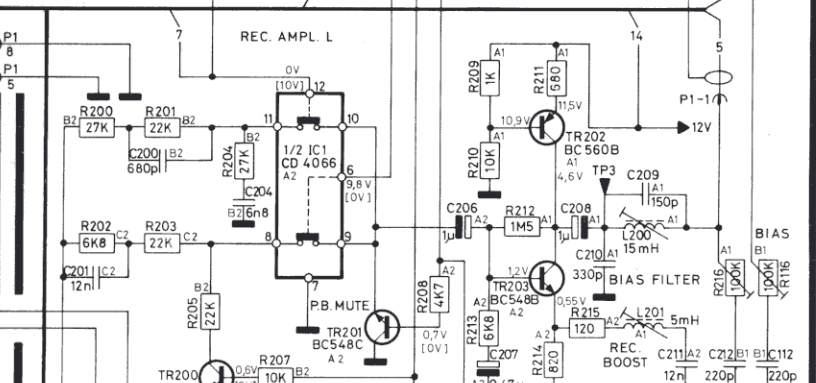
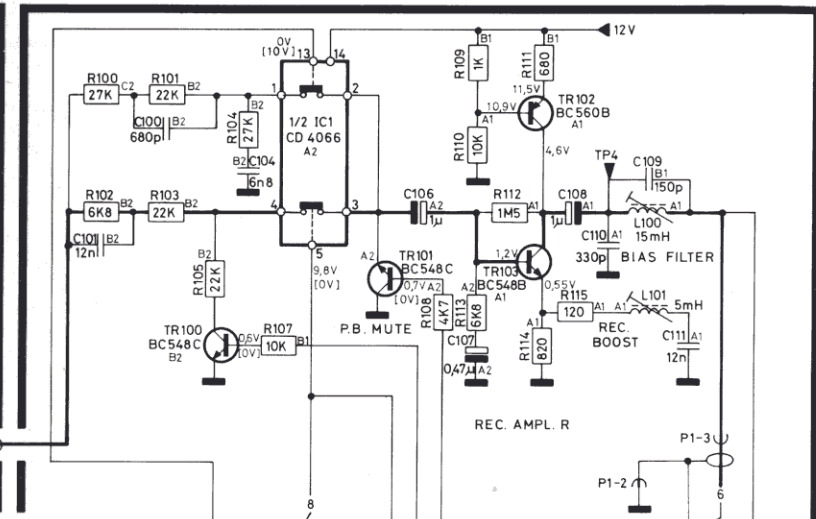
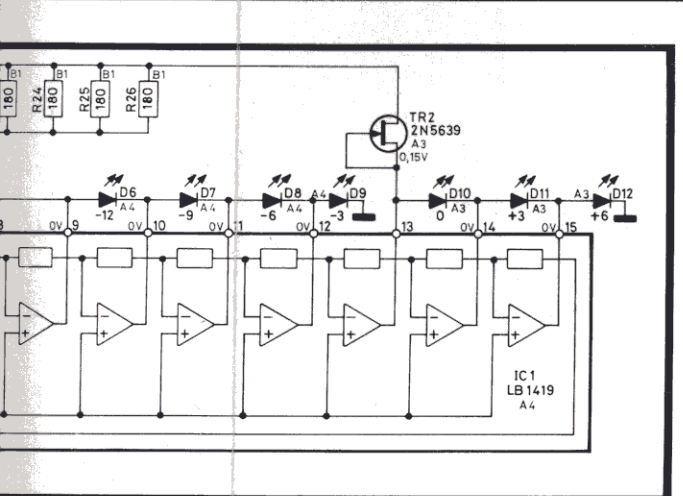
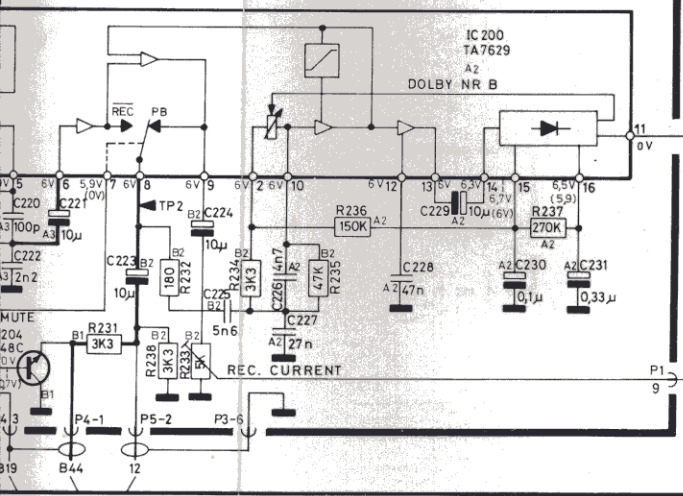
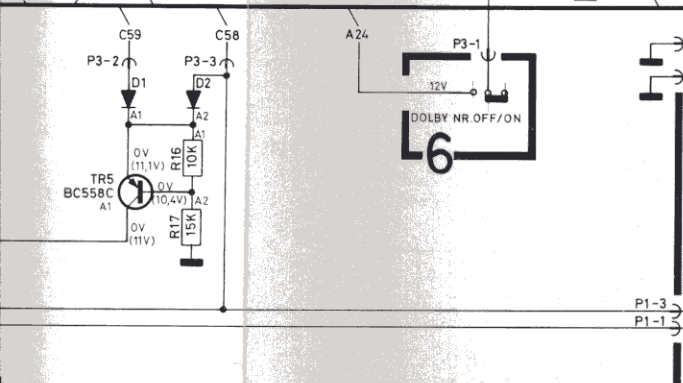
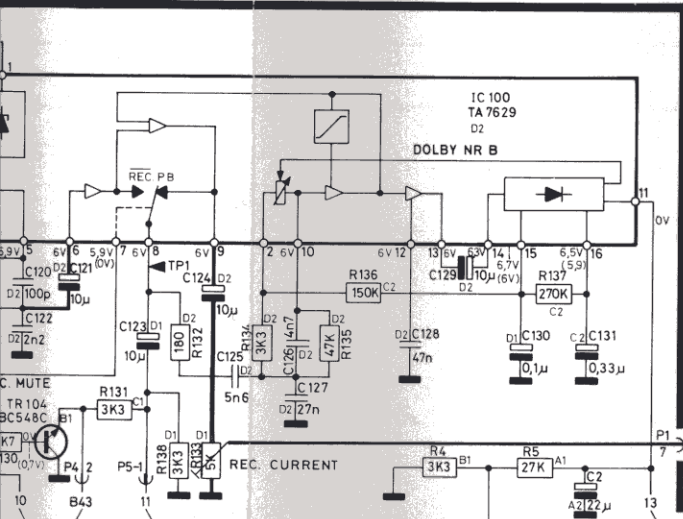
\wedge = REW
 \vee = PLAY
 \triangleright = FF

- A25 - A34
- B35 - B42
- B54
- B66 - B67
- B70
- D56 - D59
- D64
- E60 - E63



Voltages are measured in FM mode (P1 chosen)
 Voltages in [] are measured in AM mode





Noise reduction system manufactured under license from Dolby Laboratories Licensing Corporation. The word Dolby is a trade mark of Dolby Laboratories Licensing Corporation.

8004370 -10

All voltages are measured in play mode (CrO₂) Dolby ON
 Voltages in [] refer to Fe position.
 Voltages in () refer to Rec. mode.

